

Features :

- Universal AC input 88 -- 264Vac
- Installed on DIN rail TS35 / 7.5 or 15
- Brown-out protection
- Protections: Short circuit / Over load / Over voltage
- All using 105°C long life electrolytic capacitors
- High operation temperature up to 70°C
- True DC OK signal output
- Withstand 2G vibration test
- High efficiency , long life and high reliability
- 1 year warranty
- UL508 (Industrial control equipment) listed
- UL1310 Class 2 Power unit / LPS pass

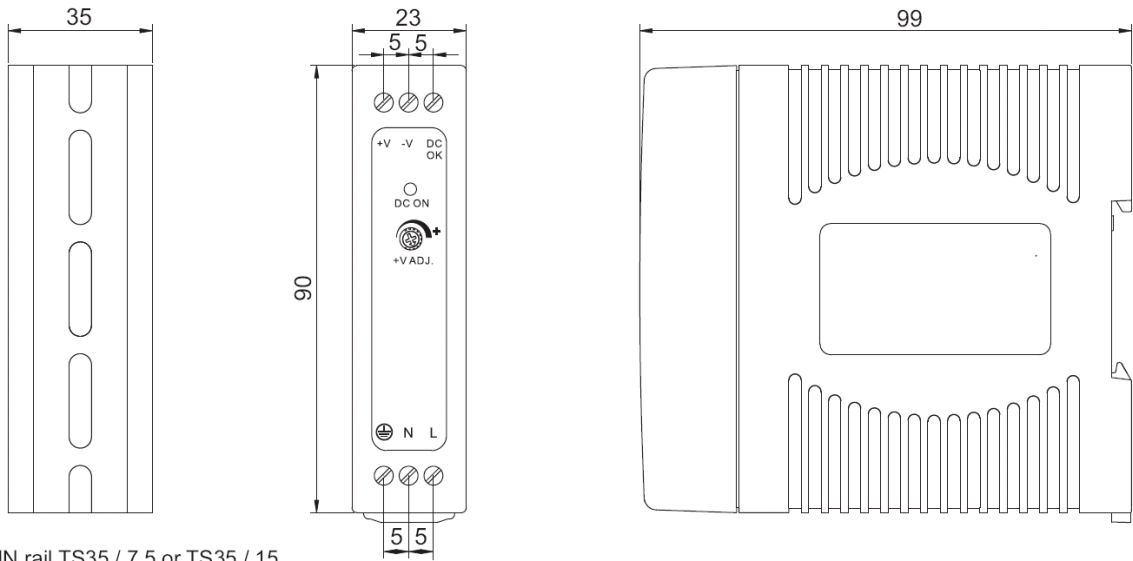


| MODEL | | DN-20-12 | DN-20-15 | DN-20-24 |
|------------------------|--|--|----------------|--------------|
| Output | DC Voltage Range | 12V | 15V | 24V |
| | Rated Current | 1.7A | 1.4A | 1A |
| | Current Range | 0 ~ 1.7A | 0 ~ 1.4A | 0 ~ 1A |
| | Rated Power | 20.4W | 21W | 24W |
| | Ripple & Noise (max.) | Note.2 100 mVp-p | 100 mVp-p | 120 mVp-p |
| | Voltage Adj. Range | 10.8 ~ 13.2V | 13.5 ~ 16.5V | 21.6 ~ 26.4V |
| | Voltage Tolerance | Note.3 ±1% | ±1% | ±1% |
| | Line Regulation | ±1% | ±1% | ±1% |
| | Load Regulation | ±1% | ±1% | ±1% |
| | Setup, Rise Time | <800ms, <100ms/230Vac at full load | | |
| Hold Time (Typ.) | > 32ms / 230VAC >16ms / 115VAC at full load | | | |
| Input | Voltage Range | Note.4 88V ~ 264VAC | 124 ~ 370VDC | |
| | Frequency Range | 47Hz ~ 63Hz | | |
| | Efficiency (Typ.) | 83% | 85% | 86% |
| | AC Current (Typ.) | 0.45A / 115VAC | 0.32A / 230VAC | |
| | Inrush Current (Typ.) | 20A / 115VAC | 40A / 230VAC | |
| Leakage Current | < 1mA / 230VAC | | | |
| Protection | Over Load | > 105% rated output power Protection type : constant current limiting, automatically after fault condition is removed | | |
| | Over Voltage | 115% ~ 150% rated output voltage Protection type : latch-off mode | | |
| Environemt | Working Temp. | -20°C ~ +70°C (Refer to output load de-rating curve) | | |
| | Working Humidity | 20 ~ 90% RH non-condensing | | |
| | Storage Temp., Humidity | -40 ~ +85°C, 10 ~ 95% R.H | | |
| | Temp.Coefficient | ±0.03%/°C (0 ~ 50°C) | | |
| Vibration | 10 ~ 500Hz, 2G 0.5Oct/min, period for 60 min. Each along X,Y,Z axes | | | |
| Safety & EMC Note.5 | Safety Standards | UL508, TUV EN60950-1, UL1310 NEC class 2 compliante | | |
| | Withstand Voltage | I/P - O/P : 4242 DC I/P - FG : 2121 DC 1 minute | | |
| | Isolation Resistance | I/P - O/P, I/P - FG, O/P - FG: 100M Ω / 500VDC | | |
| | EMI Conduction & Radiation | EN55022 : 2006(Class B), EN61204-3: 2000, EN61000-6-3: 2007 | | |
| | Harmonic Current | EN61000-3-2,3 : 2006 | | |
| | EMS Immunity | EN55024, EN61204-3: 2000, EN61000-6-1: 2007 (EN61000-4-2,3,4,5,6,8,11) | | |
| Others | DC OK signal | Open collector. Max : 40mA | | |
| | Connection | I/P 3 poles, O/P : 3 poles screw DIN terminal | | |
| | MTBF(MIL-HDBK-217F) | 120.4K HRS | 131.3K HRS | 125.9K HRS |
| | Colling | Free Air convection | | |
| | Dimension (W*H*D)(mm) | 23x90x99 | | |
| | Packing | 0.14kg ; 48Pcs / 7.92kg | | |
| Note | <p>1. All parameters NOT specially mentioned are measured at 230VAC input, rated load and 25°C of ambient temperature.</p> <p>2. Ripple & noise are measured at 20MHz of bandwidth by using a 12" twisted pair-wire terminated with a 0.1uf & 47uf parallel capacitor.</p> <p>3. Tolerance: includes set up tolerance, line regulation and load regulation.</p> <p>4. De-rating may be needed under low input voltages. Please check the de-rating curve for more details.</p> <p>5. The power supply is considered a component which will be installed into a final equipment. The final equipment must be re-confirmed that it still meets EMC directives.</p> <p>6. In parallel connection, maybe only one unit operate if the total output load is less than 5% of rated load condition.</p> | | | |

DN 20

Mechanical Specification

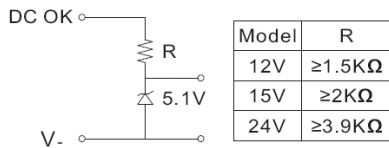
Unit : mm



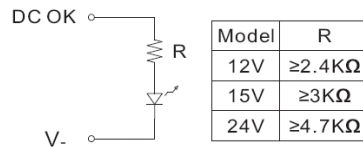
install DIN rail TS35 / 7.5 or TS35 / 15

Application of DC OK Active Signal

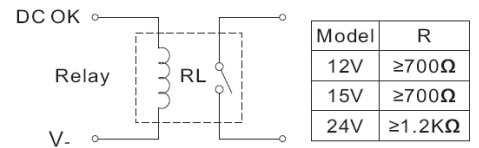
(a) 5V signal



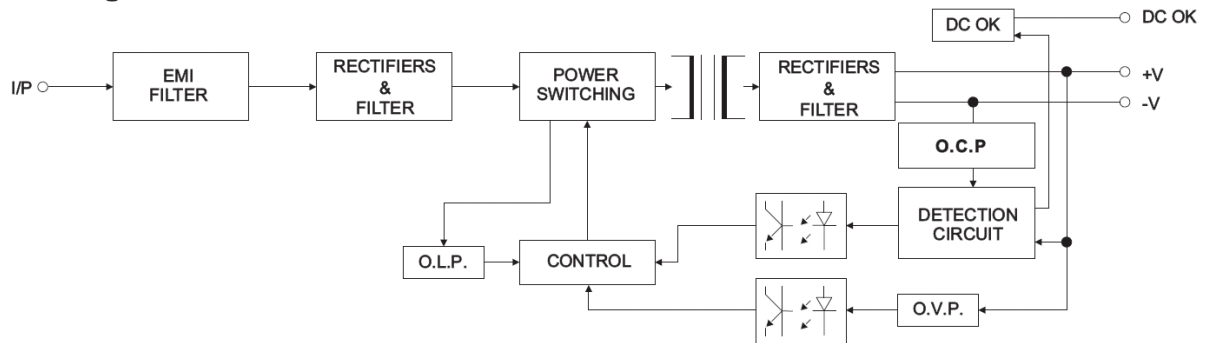
(b) LED



(c) Relay

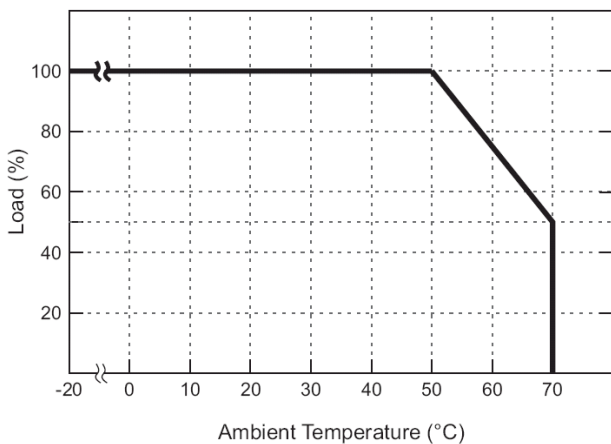


Block Diagram



De-rating Curve

Load V.S Temp.



Load V.S I/P Voltage

